

Ref	IPN	Description
**	219-02010-00	T2000 16W LOOM LOGIC RF
C1	015-22390-01	CAP CER 0805 39P 5% NPO 50V
C2	015-22390-01	CAP CER 0805 39P 5% NPO 50V
C3	015-22390-01	CAP CER 0805 39P 5% NPO 50V
C100	015-25100-08	CAP CER 0805 10N 10% X7R 50V
C104	015-06100-08	CAP CER 1206 100N 10% X7R 50V
C106	015-22330-01	CAP CER 0805 33P 5% NPO 50V
C107	015-22330-01	CAP CER 0805 33P 5% NPO 50V
C108	015-22330-01	CAP CER 0805 33P 5% NPO 50V
C109	015-22330-01	CAP CER 0805 33P 5% NPO 50V
C110	015-22330-01	CAP CER 0805 33P 5% NPO 50V
C124	015-21330-02	CAP 0805 3P3 +/-0.1P NPO 50V
C125	015-21180-02	CAP 0805 1P8 1% NPO 50V
C126	015-21330-02	CAP 0805 3P3 +/-0.1P NPO 50V
C127	015-21680-02	CAP 0805 6P8 +/-0.1P NPO 50V
C128	015-22220-01	CAP CER 0805 22P 5% NPO 50V
C129	015-25100-08	CAP CER 0805 10N 10% X7R 50V
C130	015-25100-08	CAP CER 0805 10N 10% X7R 50V
C133	015-22390-01	CAP CER 0805 39P 5% NPO 50V
C134	015-21560-02	CAP 0805 5P6 1% NPO 50V
C135	015-22150-01	CAP CER 0805 15P 5% NPO 50V
C136	015-21680-02	CAP 0805 6P8 +/-0.1P NPO 50V
C137	015-23120-01	CAP CER 0805 120P 5% NPO 50V
C138	015-21680-02	CAP 0805 6P8 +/-0.1P NPO 50V
C139	015-22150-01	CAP CER 0805 15P 5% NPO 50V
C140	015-21560-02	CAP 0805 5P6 1% NPO 50V
C141	015-22390-01	CAP CER 0805 39P 5% NPO 50V
C142	015-21560-02	CAP 0805 5P6 1% NPO 50V
C149	015-22390-01	CAP CER 0805 39P 5% NPO 50V
C158	015-24100-08	CAP CER 0805 1N 10% X7R 50V
C174	020-58470-05	CAP ELE AI RDL 47M 16V 6.3X7MM
C175	015-06100-08	CAP CER 1206 100N 10% X7R 50V
C176	015-06100-08	CAP CER 1206 100N 10% X7R 50V
C179	015-25100-08	CAP CER 0805 10N 10% X7R 50V
C180	015-06100-08	CAP CER 1206 100N 10% X7R 50V
C181	015-06100-08	CAP CER 1206 100N 10% X7R 50V
C182	015-22330-01	CAP CER 0805 33P 5% NPO 50V
C184	015-22330-01	CAP CER 0805 33P 5% NPO 50V
C185	015-25100-08	CAP CER 0805 10N 10% X7R 50V
C186	015-25100-08	CAP CER 0805 10N 10% X7R 50V
C187	015-24100-08	CAP CER 0805 1N 10% X7R 50V
C188	015-22330-01	CAP CER 0805 33P 5% NPO 50V
C189	015-23470-08	CAP CER 0805 470P 10% X7R 50V
C190	015-23470-08	CAP CER 0805 470P 10% X7R 50V
C191	015-23560-08	CAP CER 0805 560P 10% X7R 50V
C192	015-22330-01	CAP CER 0805 33P 5% NPO 50V
C193	020-57470-10	CAP ELCT AI RDL 4U7 50V LO ESR
C194	015-22330-01	CAP CER 0805 33P 5% NPO 50V
C195	015-22330-01	CAP CER 0805 33P 5% NPO 50V
C197	015-06100-08	CAP CER 1206 100N 10% X7R 50V
C198	015-23560-08	CAP CER 0805 560P 10% X7R 50V
C199	015-24100-08	CAP CER 0805 1N 10% X7R 50V
C200	015-25100-08	CAP CER 0805 10N 10% X7R 50V
C201	015-06100-08	CAP CER 1206 100N 10% X7R 50V
C202	015-22220-01	CAP CER 0805 22P 5% NPO 50V
C203	015-25220-08	CAP CER 0805 22N 10% X7R 50V
C204	015-06100-08	CAP CER 1206 100N 10% X7R 50V
C205	015-25220-08	CAP CER 0805 22N 10% X7R 50V
C206	015-06100-08	CAP CER 1206 100N 10% X7R 50V
C207	015-25100-08	CAP CER 0805 10N 10% X7R 50V
C208	015-23100-01	CAP CER 0805 100P 5% NPO 50V
C209	015-06100-08	CAP CER 1206 100N 10% X7R 50V
C210	015-23100-01	CAP CER 0805 100P 5% NPO 50V
C211	015-23220-01	CAP CER 0805 220P 5% NPO 50V
C213	020-58470-05	CAP ELE AI RDL 47M 16V 6.3X7MM
C214	015-22330-01	CAP CER 0805 33P 5% NPO 50V
C215	020-57470-10	CAP ELCT AI RDL 4U7 50V LO ESR
C216	015-25100-08	CAP CER 0805 10N 10% X7R 50V
C217	020-58470-05	CAP ELE AI RDL 47M 16V 6.3X7MM
C218	020-57470-10	CAP ELCT AI RDL 4U7 50V LO ESR
C219	020-57470-10	CAP ELCT AI RDL 4U7 50V LO ESR
C220	022-55100-10	CAP MYLAR AI 10N 5% 63V POTTED
C221	022-57100-02	CAP MYLAR AI 1M 20% 50V POTTED
C222	022-06100-15	CAP MET POLY100N 5% 50V 5.6 HI
C223	015-22330-01	CAP CER 0805 33P 5% NPO 50V
C224	015-22330-01	CAP CER 0805 33P 5% NPO 50V
C225	015-22330-01	CAP CER 0805 33P 5% NPO 50V
C226	015-06100-08	CAP CER 1206 100N 10% X7R 50V
C227	018-11560-10	CAP0603 CHIP 5P6 50V NPO+0.1P
C229	020-58470-05	CAP ELE AI RDL 47M 16V 6.3X7MM
C231	015-25100-08	CAP CER 0805 10N 10% X7R 50V
C232	015-21120-02	CAP 0805 1P2 1% NPO 50V
C233	020-57470-10	CAP ELCT AI RDL 4U7 50V LO ESR
C235	015-06100-08	CAP CER 1206 100N 10% X7R 50V
C236	018-11330-10	CAP0603 CHIP 3P3 50V NPO+0.1P
C237	018-11330-10	CAP0603 CHIP 3P3 50V NPO+0.1P
C238	015-21390-02	CAP 0805 3P9 +/-0.1P NPO 50V

Ref	IPN	Description
C240	015-24100-08	CAP CER 0805 1N 10% X7R 50V
C241	015-24100-08	CAP CER 0805 1N 10% X7R 50V
C242	015-25100-08	CAP CER 0805 10N 10% X7R 50V
C243	015-22330-01	CAP CER 0805 33P 5% NPO 50V
C244	015-22560-01	CAP CER 0805 56P 5% NPO 50V
C245	018-15100-00	CAP 0603 10N 50V X7R +-10%
C246	018-14100-00	CAP 0603 1N 50V X7R +-10%
C247	015-22270-01	CAP CER 0805 27P 5% NPO 50V
C248	020-09100-07	CAP ELECT 100M 10V 6.3*7MM
C249	015-24100-08	CAP CER 0805 1N 10% X7R 50V
C250	015-22220-01	CAP CER 0805 22P 5% NPO 50V
C251	015-23120-01	CAP CER 0805 120P 5% NPO 50V
C252	015-22180-01	CAP CER 0805 18P 5% NPO 50V
C253	015-22120-01	CAP CER 0805 12P 5% NPO 50V
C254	015-24100-08	CAP CER 0805 1N 10% X7R 50V
C255	015-21270-02	CAP 0805 2P7 +/-0.1P NPO 50V
C256	015-24100-08	CAP CER 0805 1N 10% X7R 50V
C301	018-14100-00	CAP 0603 1N 50V X7R +-10%
C303	015-22330-01	CAP CER 0805 33P 5% NPO 50V
C304	015-24100-08	CAP CER 0805 1N 10% X7R 50V
C305	015-22330-01	CAP CER 0805 33P 5% NPO 50V
C306	015-21390-02	CAP 0805 3P9 +/-0.1P NPO 50V
C307	015-06100-08	CAP CER 1206 100N 10% X7R 50V
C308	015-24100-08	CAP CER 0805 1N 10% X7R 50V
C309	015-22330-01	CAP CER 0805 33P 5% NPO 50V
C310	015-06100-08	CAP CER 1206 100N 10% X7R 50V
C311	015-22330-01	CAP CER 0805 33P 5% NPO 50V
C312	015-24100-08	CAP CER 0805 1N 10% X7R 50V
C313	015-21390-02	CAP 0805 3P9 +/-0.1P NPO 50V
C314	015-21390-02	CAP 0805 3P9 +/-0.1P NPO 50V
C315	015-22330-01	CAP CER 0805 33P 5% NPO 50V
C316	015-24100-08	CAP CER 0805 1N 10% X7R 50V
C317	015-22390-01	CAP CER 0805 39P 5% NPO 50V
C318	015-22330-01	CAP CER 0805 33P 5% NPO 50V
C319	015-21270-02	CAP 0805 2P7 +/-0.1P NPO 50V
C320	015-22330-01	CAP CER 0805 33P 5% NPO 50V
C321	015-22390-01	CAP CER 0805 39P 5% NPO 50V
C322	015-06100-08	CAP CER 1206 100N 10% X7R 50V
C324	015-25100-08	CAP CER 0805 10N 10% X7R 50V
C325	015-22330-01	CAP CER 0805 33P 5% NPO 50V
C326	015-22330-01	CAP CER 0805 33P 5% NPO 50V
C328	015-24100-08	CAP CER 0805 1N 10% X7R 50V
C329	015-22330-01	CAP CER 0805 33P 5% NPO 50V
C330	015-22330-01	CAP CER 0805 33P 5% NPO 50V
C331	015-22330-01	CAP CER 0805 33P 5% NPO 50V
C332	015-22330-01	CAP CER 0805 33P 5% NPO 50V
C333	015-22330-01	CAP CER 0805 33P 5% NPO 50V
C334	015-22330-01	CAP CER 0805 33P 5% NPO 50V
C335	015-22330-01	CAP CER 0805 33P 5% NPO 50V
C336	015-22330-01	CAP CER 0805 33P 5% NPO 50V
C337	015-22330-01	CAP CER 0805 33P 5% NPO 50V
C338	015-22330-01	CAP CER 0805 33P 5% NPO 50V
C339	015-22330-01	CAP CER 0805 33P 5% NPO 50V
C340	015-02330-06	CAP CER 1210 33P NPO 500V
C341	015-01270-06	CAP CER 1210 2P7 NPO200V GRM42
C342	015-21100-02	CAP 0805 1P0 1% NPO 50V
C343	015-01330-06	CAP CER 1210 3P3 NPO500VGRM42
C344	015-01330-06	CAP CER 1210 3P3 NPO500VGRM42
C345	015-21100-02	CAP 0805 1P0 1% NPO 50V
C346	015-01270-06	CAP CER 1210 2P7 NPO200V GRM42
C347	015-22330-01	CAP CER 0805 33P 5% NPO 50V
C348	015-22330-01	CAP CER 0805 33P 5% NPO 50V
C349	015-22330-01	CAP CER 0805 33P 5% NPO 50V
C350	015-22330-01	CAP CER 0805 33P 5% NPO 50V
C351	015-24100-08	CAP CER 0805 1N 10% X7R 50V
C352	015-02330-06	CAP CER 1210 33P NPO 500V
C353	015-24100-08	CAP CER 0805 1N 10% X7R 50V
C355	015-22330-01	CAP CER 0805 33P 5% NPO 50V
C356	015-06100-08	CAP CER 1206 100N 10% X7R 50V
C357	015-24100-08	CAP CER 0805 1N 10% X7R 50V
C358	015-24100-08	CAP CER 0805 1N 10% X7R 50V
C359	015-24100-08	CAP CER 0805 1N 10% X7R 50V
C360	015-22330-01	CAP CER 0805 33P 5% NPO 50V
C361	015-06100-08	CAP CER 1206 100N 10% X7R 50V
C362	020-57100-55	CAP ELE AI RDL 1UF 50V 4X7MM
C363	015-24100-08	CAP CER 0805 1N 10% X7R 50V
C364	015-06100-08	CAP CER 1206 100N 10% X7R 50V
C365	020-57100-55	CAP ELE AI RDL 1UF 50V 4X7MM
C366	015-22330-01	CAP CER 0805 33P 5% NPO 50V
C367	015-24100-08	CAP CER 0805 1N 10% X7R 50V
C368	015-21150-05	CAP CER 0805 CHIP 1P5+0.1PF 2
C403	015-23470-08	CAP CER 0805 470P 10% X7R 50V
C410	020-57470-10	CAP ELCT AI RDL 4U7 50V LO ESR
C411	015-06100-08	CAP CER 1206 100N 10% X7R 50V
C412	020-58470-05	CAP ELE AI RDL 47M 16V 6.3X7MM
C413	015-06100-08	CAP CER 1206 100N 10% X7R 50V
C414	020-09470-05	CAP ELE RAD 470M 16V 10X12.5MM
C415	020-19100-02	CAP ELE RA 1000M 16V 12X20MM

Ref	IPN	Description
C416	015-23470-08	CAP CER 0805 470P 10% X7R 50V
C419	015-06100-08	CAP CER 1206 100N 10% X7R 50V
C420	015-06100-08	CAP CER 1206 100N 10% X7R 50V
C423	020-08560-09	CAP ELECT RAD 56M 50V 6.3*15.5
C424	020-57470-10	CAP ELCT AI RDL 4U7 50V LO ESR
C425	020-57470-10	CAP ELCT AI RDL 4U7 50V LO ESR
C426	015-25100-08	CAP CER 0805 10N 10% X7R 50V
C427	020-57470-10	CAP ELCT AI RDL 4U7 50V LO ESR
C428	020-57470-10	CAP ELCT AI RDL 4U7 50V LO ESR
C429	015-24100-08	CAP CER 0805 1N 10% X7R 50V
C430	020-08100-04	CAP ELECT RADL 10M 16V 4*7MM
C431	015-06100-08	CAP CER 1206 100N 10% X7R 50V
CV212	028-02200-01	AP TRM 4/20P N750 TOP ADJ
D1	001-00012-90	DIODE MR2520L O-VOLT SUPP
D100	001-10000-99	DIODE SMD BAV99 D-SW SOT23
D107	001-10000-17	DIODE SMD DUAL BAT-17 SOT23
D108	001-10000-17	DIODE SMD DUAL BAT-17 SOT23
D110	001-10015-00	DIODE SMD BAT15-099R SCHT
D202	001-10000-70	DIODE SMD BAV70 D-SW SOT23
D203	001-10005-35	DIODE SMD VCAP BB535 SOD323
D204	001-10005-35	DIODE SMD VCAP BB535 SOD323
D205	001-10005-35	DIODE SMD VCAP BB535 SOD323
D206	001-10005-35	DIODE SMD VCAP BB535 SOD323
D208	001-10014-01	DIODE SMD D-BAR14-1 SOT23
D301	001-00013-45	DIODE SCHTTKY 1SS97/2
D302	001-00012-50	DIODE PIN UM9401 UHF PWR/SW
D303	001-00012-50	DIODE PIN UM9401 UHF PWR/SW
D304	001-00010-26	DIODE BA482 RF SWITCH
D401	001-10000-70	DIODE SMD BAV70 D-SW SOT23
IC101	002-10033-71	IC SMD MC3371D IF DET RSSI
IC201	002-10451-58	IC SMD MC145158DW2 F-SYNTH
IC202	002-10330-78	IC MC33078D 2X AMP LO NOISE
IC203	002-10120-52	IC MC12052 PRESCAIR LOW
IC402	002-00013-70	IC TDA1020 AF PWR AMP 9DIL
IC403	002-00078-08	IC MC7808ACT 8V REG 1A TO220
IC404	002-00078-05	IC MC7805ACT 5V REG 1A TO220
#IC405	004-00282-02	MOD RF PWR 900M XHW2820-2
L1	030-50000-00	LINK WIRE AI ZERO OHM 0.6
L107	050-10061-70	BALUN MIXER SMD 617DB-1018
L108	050-10061-70	BALUN MIXER SMD 617DB-1018
L110	056-00021-60	IND FXD 330NH AX N/MAG 6.6*2.7
L114	050-00016-62	COIL IF 1UH AT 30MHZ 6MMSQX6.
L116	050-00016-62	COIL IF 1UH AT 30MHZ 6MMSQX6.
L117	050-00016-65	CO

Ref	IPN	Description
P2	219-02005-00	T2000 12W LOOM LOGIC RF LONG
P3	240-00026-21	PLUG CAP HOUSING 7-POS
P5	240-00010-76	PLUG HEADER 10W M-MATCH PCB
P6	240-00010-76	PLUG HEADER 10W M-MATCH PCB
P7	240-00020-72	HEADER 2W PCB MG ULTRES
Q101	000-10052-00	XSTR SMD BFG520/X 9GHZ NPN
Q102	000-10008-57	XSTR SMD BC857 PNP SOT23 SS
Q103	000-10095-10	XSTR SMD BR951 NPN UHF
Q115	000-10008-47	XSTR BC847B NPN SOT23
Q200	000-10003-10	XSTR SMD BFJ310 JFET UHF
Q201	000-10008-57	XSTR SMD BC857 PNP SOT23 SS
Q202	000-10003-10	XSTR SMD BFJ310 JFET UHF
Q203	000-10008-47	XSTR BC847B NPN SOT23
Q204	000-10008-47	XSTR BC847B NPN SOT23
Q205	000-10008-57	XSTR SMD BC857 PNP SOT23 SS
Q206	000-10008-47	XSTR BC847B NPN SOT23
Q207	000-10008-57	XSTR SMD BC857 PNP SOT23 SS
Q208	000-10008-47	XSTR BC847B NPN SOT23
Q209	000-10008-57	XSTR SMD BC857 PNP SOT23 SS
Q210	000-10003-12	XSTR SMD BFR31 N JFET SOT23
Q211	000-10008-47	XSTR BC847B NPN SOT23
Q212	000-10009-41	XSTR SMD BR941L SOT23
Q213	000-10008-47	XSTR BC847B NPN SOT23
Q214	000-10009-41	XSTR SMD BR941L SOT23
Q215	000-10057-10	XSTR SMD BR571 NPN SOT23
Q300	000-10095-10	XSTR SMD BR951 NPN UHF
Q301	000-10095-10	XSTR SMD BR951 NPN UHF
Q302	000-00032-47	XSTR MRF559 NPN XPACK 0.5W
Q303	000-10008-47	XSTR BC847B NPN SOT23
Q304	000-00012-15	XSTR BD234 PNP AF PWR TO126
Q305	000-10008-47	XSTR BC847B NPN SOT23
Q306	000-10008-07	XSTR SMD BC807 PNP SOT23 AF
Q307	000-10008-47	XSTR BC847B NPN SOT23
Q308	000-10008-07	XSTR SMD BC807 PNP SOT23 AF
Q309	000-10008-47	XSTR BC847B NPN SOT23
Q401	000-10008-57	XSTR SMD BC857 PNP SOT23 SS
Q402	000-10008-17	XSTR SMD BC817-25 NPN SOT23
R101	036-14390-00	RES M/F 0805 3K9 5%
R102	036-13560-00	RES M/F 0805 560E 5%
R103	036-14220-00	RES M/F 0805 2K2 5%
R104	036-13150-00	RES M/F 0805 150E 5%
R105	036-12180-00	RES M/F 0805 18E 5%
R106	036-16100-00	RES M/F 0805 100K 5%
R107	036-10000-00	RES M/F 0805 ZERO OHM
R108	036-16100-00	RES M/F 0805 100K 5%
R112	036-12470-00	RES M/F 0805 47E 5%
R113	036-11470-00	RES M/F 0805 4E7 5%
R114	036-13820-00	RES M/F 0805 820E 5%
R115	036-15120-00	RES M/F 0805 12K 5%
R116	036-11470-00	RES M/F 0805 4E7 5%
R117	036-12100-00	RES M/F 0805 10E 5%
R118	036-13100-00	RES M/F 0805 100E 5%
R119	036-12100-00	RES M/F 0805 10E 5%
R138	036-16100-00	RES M/F 0805 100K 5%
R151	036-14330-00	RES M/F 0805 3K3 5%
R152	036-16390-00	RES M/F 0805 390K 5%
R155	036-16100-00	RES M/F 0805 100K 5%
R156	036-13100-00	RES M/F 0805 100E 5%
R157	036-15100-00	RES M/F 0805 10K 5%
R158	036-14100-00	RES M/F 0805 1K 5%
R159	036-12470-00	RES M/F 0805 47E 5%
R160	036-12100-00	RES M/F 0805 10E 5%
R161	036-14100-00	RES M/F 0805 1K 5%
R194	036-10000-00	RES M/F 0805 ZERO OHM
R195	036-15680-00	RES M/F 0805 68K 5%
R196	036-13100-00	RES M/F 0805 100E 5%
R197	036-13100-00	RES M/F 0805 100E 5%
R198	036-14220-00	RES M/F 0805 2K2 5%
R199	036-13100-00	RES M/F 0805 100E 5%
R200	036-14100-00	RES M/F 0805 1K 5%
R201	036-13100-00	RES M/F 0805 100E 5%
R203	036-12220-00	RES M/F 0805 22E 5%
R209	036-14220-00	RES M/F 0805 2K2 5%
R212	036-13680-00	RES M/F 0805 680E 5%
R213	036-14120-00	RES M/F 0805 1K2 5%
R214	036-13680-00	RES M/F 0805 680E 5%
R217	036-12470-00	RES M/F 0805 47E 5%
R221	036-13100-00	RES M/F 0805 100E 5%
R223	036-15220-00	RES M/F 0805 22K 5%
R224	036-15220-00	RES M/F 0805 22K 5%
R225	036-15220-00	RES M/F 0805 22K 5%
R226	036-15120-00	RES M/F 0805 12K 5%
R227	036-13470-00	RES M/F 0805 470E 5%
R228	036-14330-00	RES M/F 0805 3K3 5%
R229	036-12220-00	RES M/F 0805 22E 5%

Ref	IPN	Description
R230	036-13470-00	RES M/F 0805 470E 5%
R231	036-13220-00	RES M/F 0805 220E 5%
R232	036-14220-00	RES M/F 0805 2K2 5%
R233	036-17100-00	RES M/F 0805 1M 5%
R234	036-13120-00	RES M/F 0805 120E 5%
R235	036-13330-00	RES M/F 0805 330E 5%
R236	036-12470-00	RES M/F 0805 47E 5%
R237	036-13100-00	RES M/F 0805 100E 5%
R238	036-14820-00	RES M/F 0805 8K2 5%
R239	036-15220-00	RES M/F 0805 22K 5%
R240	036-16100-00	RES M/F 0805 100K 5%
R241	036-14150-00	RES M/F 0805 1K5 5%
R242	036-12220-00	RES M/F 0805 22E 5%
R243	036-14330-00	RES M/F 0805 3K3 5%
R244	036-12220-00	RES M/F 0805 22E 5%
R245	036-13100-00	RES M/F 0805 100E 5%
R247	036-12330-00	RES M/F 0805 33E 5%
R248	036-10000-00	RES M/F 0805 ZERO OHM
R249	036-12220-00	RES M/F 0805 22E 5%
R250	036-14220-00	RES M/F 0805 2K2 5%
R251	038-13560-00	RES 0603 CHIP 560E 1/16W +-5%
R252	036-14100-00	RES M/F 0805 1K 5%
R253	036-12680-00	RES M/F 0805 68E 5%
R255	038-13100-00	RES 0603 100E 1/16W +-5%
R256	038-14180-00	RES 0603 CHIP 1K8 1/16W
R257	036-14120-00	RES M/F 0805 1K2 5%
R258	036-10000-00	RES M/F 0805 ZERO OHM
R259	038-14100-00	RES 0603 1K0 1/16W +-5%
R260	036-14150-00	RES M/F 0805 1K5 5%
R261	036-12330-00	RES M/F 0805 33E 5%
R262	036-12100-00	RES M/F 0805 10E 5%
R263	036-16180-00	RES M/F 0805 180K 5%
R266	036-14330-00	RES M/F 0805 3K3 5%
R267	038-14330-00	RES 0603 3K3 1/16W +-5%
R268	038-12560-00	RES 0603 CHIP 56E 1/16W +-5%
R271	038-13150-00	RES 0603 150E 1/16W +-5%
R272	036-13150-00	RES M/F 0805 150E 5%
R273	036-12100-00	RES M/F 0805 10E 5%
R274	036-13470-00	RES M/F 0805 470E 5%
R275	036-12100-00	RES M/F 0805 10E 5%
R276	036-14680-00	RES M/F 0805 6K8 5%
R277	038-12560-00	RES 0603 CHIP 56E 1/16W +-5%
R278	036-16100-00	RES M/F 0805 100K 5%
R279	036-13180-00	RES M/F 0805 180E 5%
R280	038-12270-00	RES 0603 CHIP 27E 1/16W +-5%
R281	036-13180-00	RES M/F 0805 180E 5%
R301	036-13220-00	RES M/F 0805 220E 5%
R302	036-14120-00	RES M/F 0805 1K2 5%
R303	036-13100-00	RES M/F 0805 100E 5%
R305	036-12100-00	RES M/F 0805 10E 5%
R306	036-14100-00	RES M/F 0805 1K 5%
R307	036-12680-00	RES M/F 0805 68E 5%
R308	036-14100-00	RES M/F 0805 1K 5%
R309	036-14100-00	RES M/F 0805 1K 5%
R310	036-12470-00	RES M/F 0805 47E 5%
R311	036-13180-00	RES M/F 0805 180E 5%
R312	036-13680-00	RES M/F 0805 680E 5%
R313	036-14100-00	RES M/F 0805 1K 5%
R314	036-12100-00	RES M/F 0805 10E 5%
R315	036-12120-00	RES M/F 0805 12E 5%
R316	036-13150-00	RES M/F 0805 150E 5%
R317	036-13470-00	RES M/F 0805 470E 5%
R318	036-13470-00	RES M/F 0805 470E 5%
R321	036-16470-00	RES M/F 0805 470K 5%
R326	036-16220-00	RES M/F 0805 220K 5%
R327	036-14100-00	RES M/F 0805 1K 5%
R328	030-53330-20	RES FILM AI 330E 5% 0.4W 4X1.6
R329	036-14100-00	RES M/F 0805 1K 5%
R330	036-16220-00	RES M/F 0805 220K 5%
R332	036-13100-00	RES M/F 0805 100E 5%
R333	036-14220-00	RES M/F 0805 2K2 5%
R336	030-53100-20	RES FILM AI 100E 5% 0.4W 4X1.6
R337	036-10000-00	RES M/F 0805 ZERO OHM
R338	036-15270-00	RES M/F 0805 27K 5%
R339	036-15100-00	RES M/F 0805 10K 5%
R340	036-15100-00	RES M/F 0805 10K 5%
R341	036-15470-00	RES M/F 0805 47K 5%
R342	036-16390-00	RES M/F 0805 390K 5%
R343	036-14470-00	RES M/F 0805 4K7 5%
R344	036-14470-00	RES M/F 0805 4K7 5%
R345	036-15100-00	RES M/F 0805 10K 5%
R346	036-13680-00	RES M/F 0805 680E 5%
R347	030-53100-20	RES FILM AI 100E 5% 0.4W 4X1.6
R348	030-53330-20	RES FILM AI 330E 5% 0.4W 4X1.6
R349	036-14100-00	RES M/F 0805 1K 5%
R350	030-55270-20	RES FILM AI 27K 5% 0.4W 4X1.6
R351	036-12100-00	RES M/F 0805 10E 5%
R352	036-12100-00	RES M/F 0805 10E 5%

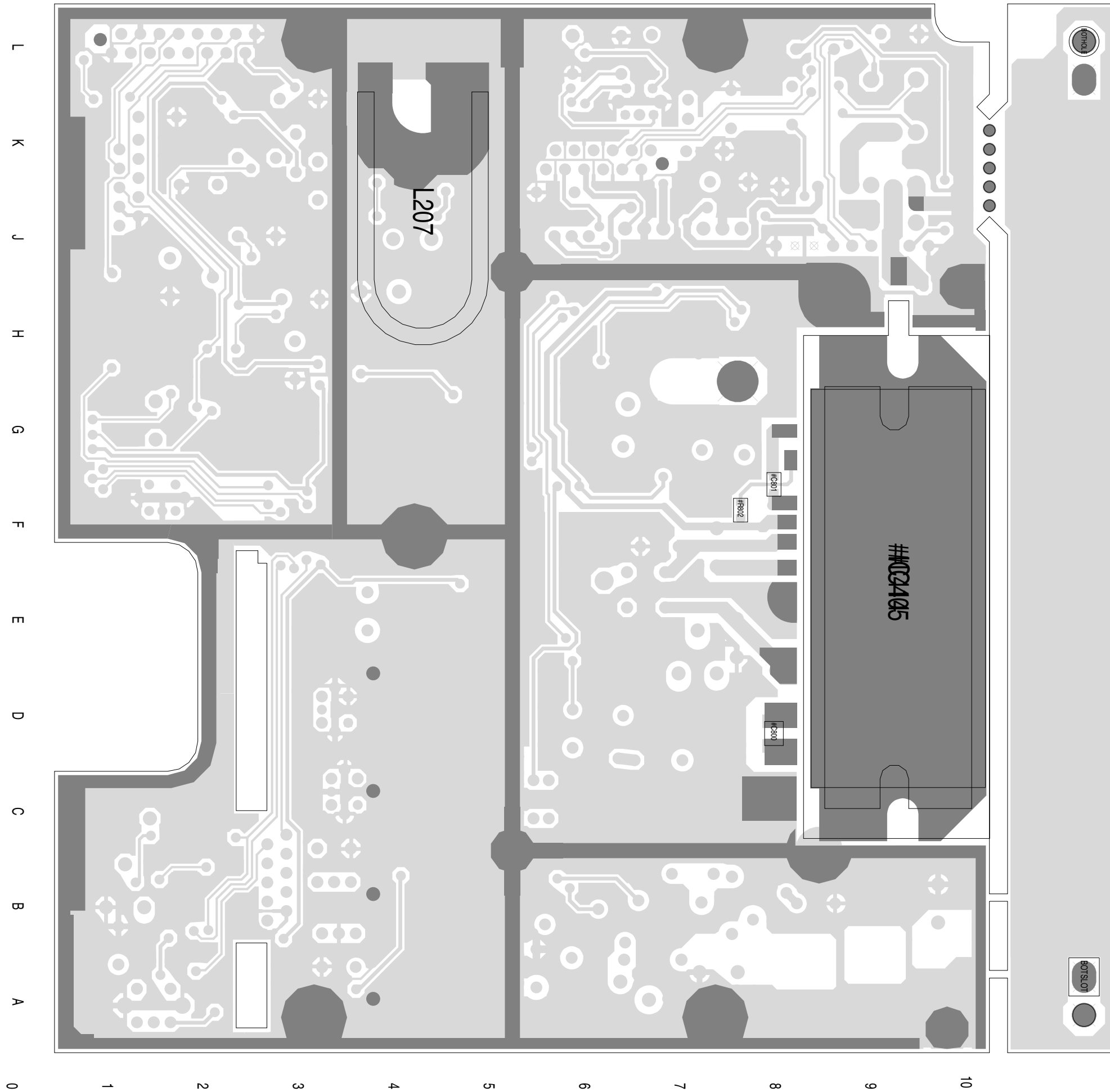
Ref	IPN	Description
R353	036-12100-00	RES M/F 0805 10E 5%
R354	036-15470-00	RES M/F 0805 47K 5%
R418	036-13680-00	RES M/F 0805 680E 5%
R420	036-15270-00	RES M/F 0805 27K 5%
R421	036-15270-00	RES M/F 0805 27K 5%
R422	036-12220-00	RES M/F 0805 22E 5%
R425	036-14100-00	RES M/F 0805 1K 5%
R426	036-11470-00	RES M/F 0805 4E7 5%
R427	036-11470-00	RES M/F 0805 4E7 5%
R428	036-12220-00	RES M/F 0805 22E 5%
R429	036-15270-00	RES M/F 0805 27K 5%
R430	036-14680-00	RES M/F 0805 6K8 5%
R431	036-16100-00	RES M/F 0805 100K 5%
R432	036-12100-00	RES M/F 0805 10E 5%
R433	036-13100-00	RES M/F 0805 100E 5%
R434	036-12470-00	RES M/F 0805 47E 5%
R437	036-14100-00	RES M/F 0805 1K 5%
R441	030-55270-20	RES FILM AI 27K 5% 0.4W 4X1.6
#R803	036-10000-00	RES M/F 0805 ZERO OHM
#R804	036-10000-00	RES M/F 0805 ZERO OHM
RV153	042-05470-07	RES PRE 47K CAR 6MM FLAT D/ADJ
RV222	042-05470-07	RES PRE 47K CAR 6MM FLAT D/ADJ
RV324	042-06470-06	RES PRE 470/500K 25% 6MM T/ADJ
#XF101	276-10000-15	FLTR CER DFC2R947P025 HHB
XF102	276-10000-16	FLTR CER DFC3R947P025 HHB

Mechanical Parts and Miscellaneous Parts

IPN	Description
065-00010-11	BEAD FERR 4S3 3*1*4MM RED
201-00050-02	CABLE AUTO RED 7/0.32MM PVC
220-01612-05	T2000-K00 900MHz PCB
240-02100-11	SKT COAX BNC 3.5MM PNL NO TAG
302-05223-00	BRKT T2000-80 PCB RETAINER
303-23134-05	COVER TOP PTDG CMLPT T2000 SII
303-23165-01	CVR BTM T2K 8/900MHZ SLOT PNTD
303-50077-00	CLIP T2000 AUDIO IC AND REG
308-13113-01	CHASSIS MOT-MODULE T/T T2000
316-85094-01	PLATE BNC MTG UK 5X5 SERIES
319-01167-00	SHIELD RX A3M2594 T2000
319-01240-00	SHIELD DIE CAST T2000 SPECIAL
345-00051-00	SCRW PTDG 30*06 P/TORX BZ LUBE
345-00052-00	SCRW PTDG 30*08 P/TORX BZ LUBE
345-00054-00	SCRW PTDG 30*12 P/TORX BZ LUBE
345-00055-00	SCRW PTDG 40*25 P/TORX BZ LUBE
345-00056-00	SCRW PTDG 40*35 P/TORX BZ LUBE
349-00010-59	SCRW 6-32 * 3/8 P/PH T/T ZP
353-00010-10	WSHR M3 FLAT 7MM*0.6MM ST BZ
356-00010-68	TAG SOLDER 4MM LONG 60-2814-51
360-01053-03	PLUG PLASTIC DRANGE BLANKING
362-01027-01	GSKET RUBBER SEAL T2K MAIN CON
362-01028-00	GASKET130*3MM CONDUCT T2K
362-01058-00	GSKET TO126 11.1*7.9 D2.4 SIL
365-01391-02	LBL BLNK 30*10.8MM VOIDMATT

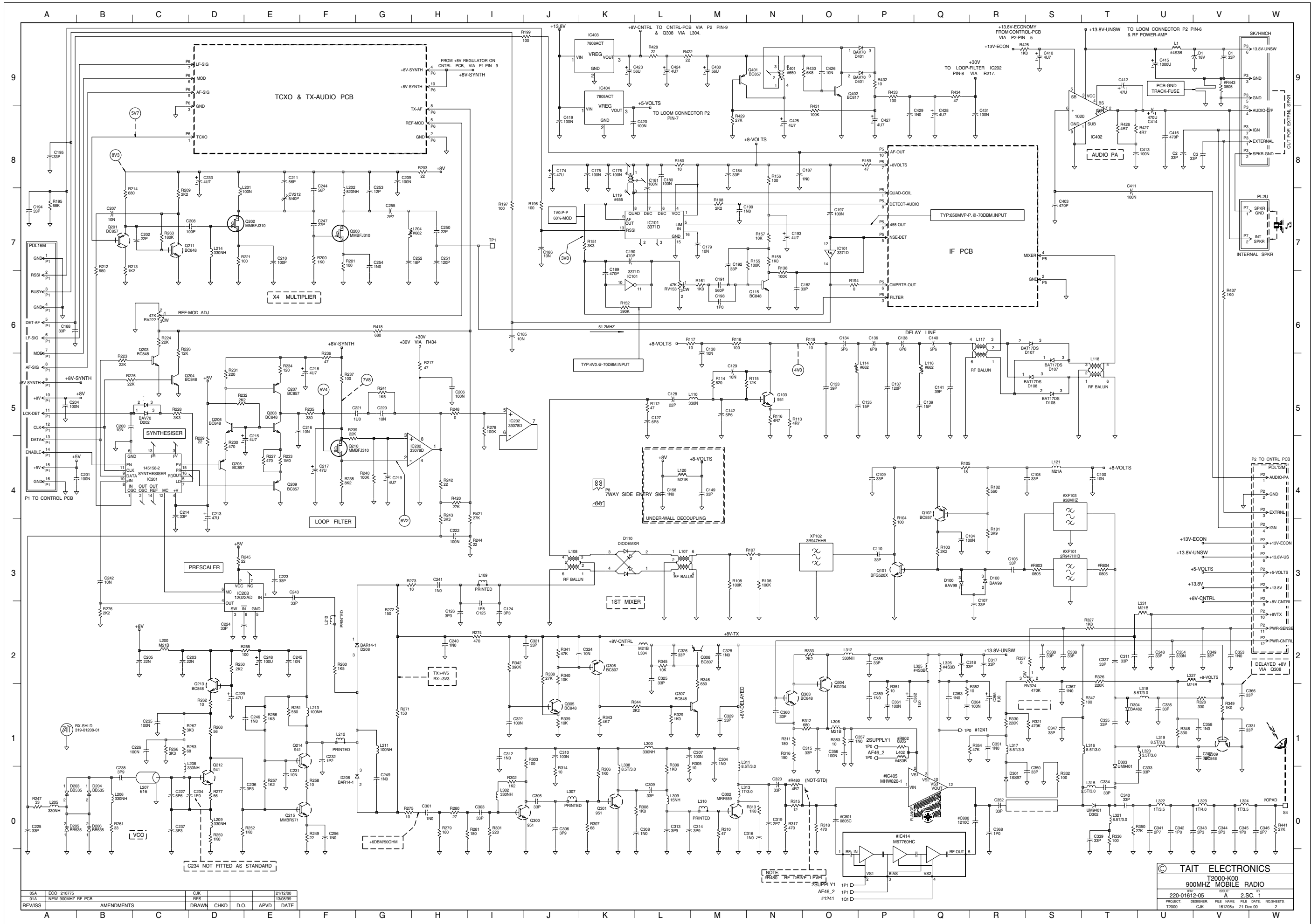
Grid Reference Index

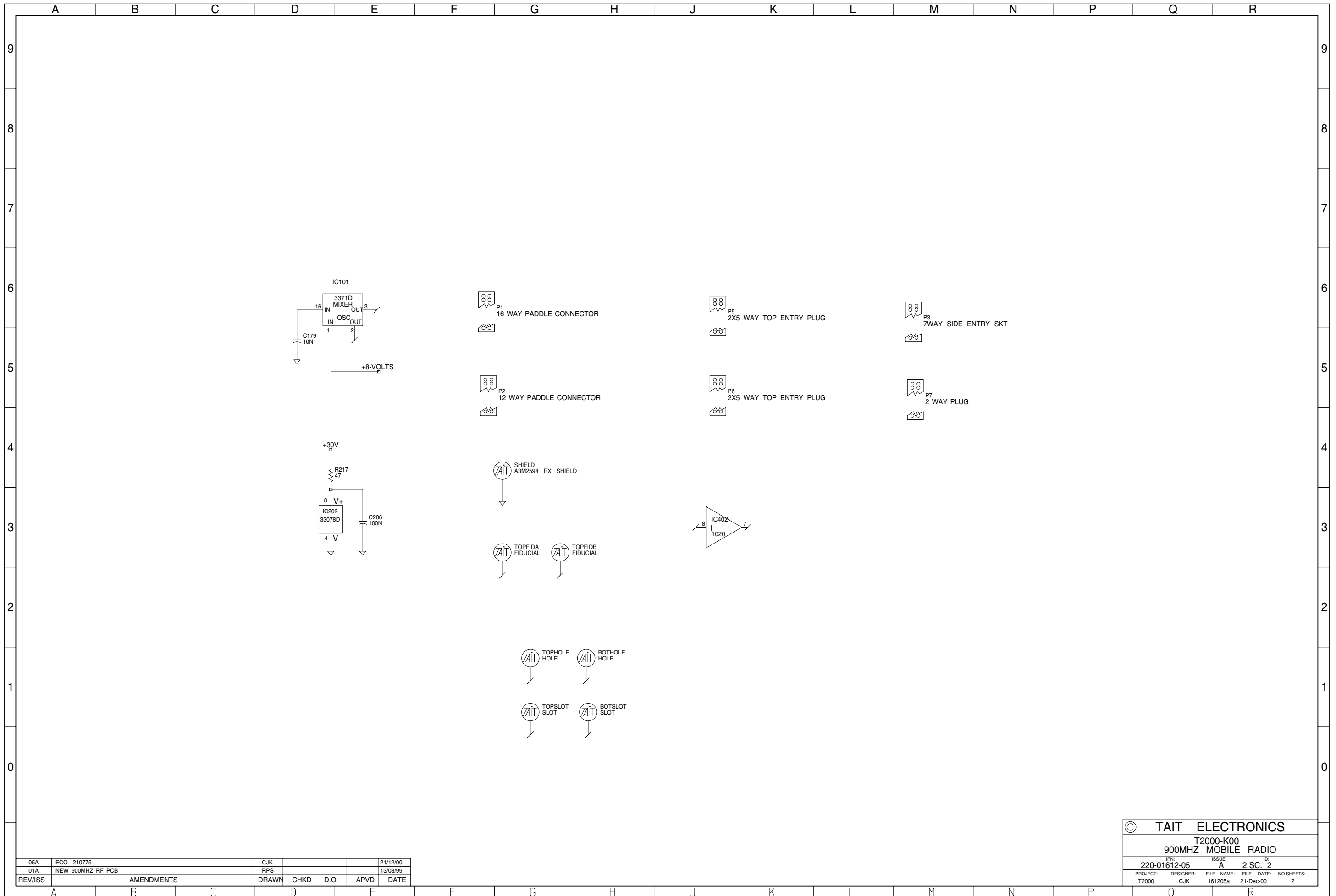
Device	PCB	Circuit	Device	PCB	Circuit	Device	PCB	Circuit	Device	PCB	Circuit	Device	PCB	Circuit	Device	PCB	Circuit	Device	PCB	Circuit
C1	1:J10	1-V9	C241	1:G5	1-H3	C416	1:J10	1-U8	L310	1:G8	1-M0	R195	1:L2	1-A7	R329	1:H9	1-L1			
C2	1:L10	1-U8	C242	1:G4	1-B3	C419	1:J8	1-J8	L311	1:G9	1-M0	R196	1:F4	1-J7	R330	1:D8	1-R1			
C3	1:L10	1-V8	C243	1:G5	1-E3	C420	1:J9	1-K8	L312	1:J8	1-O2	R197	1:F4	1-I7	R332	1:C8	1-S0			
C100	1:C5	1-T4	C244	1:G2	1-F7	C423	1:K9	1-K9	L313	1:G9	1-M0	R198	1:C3	1-M7	R333	1:J7	1-O2			
C104	1:D5	1-Q3	C245	1:H5	1-E2	C424	1:K8	1-L9	L315	1:B8	1-T0	R199	1:F4	1-J9	R336	1:B9	1-T0			
C106	1:C6	1-R3	C246	1:J5	1-E1	C425	1:L8	1-N8	L316	1:B8	1-T1	R200	1:G3	1-F7	R337	1:E7	1-S2			
C107	1:C6	1-R2	C247	1:G3	1-F7	C426	1:L7	1-O9	L317	1:D7	1-R1	R201	1:F3	1-F7	R338	1:H7	1-J2			
C108	1:C5	1-S4	C248	1:H5	1-E2	C427	1:L7	1-P8	L318	1:B7	1-U1	R203	1:K2	1-H8	R339	1:H8	1-J1			
C109	1:D5	1-P4	C249	1:H6	1-G0	C428	1:L7	1-O8	L319	1:B7	1-U1	R209	1:J2	1-C7	R340	1:H7	1-J2			
C110	1:C6	1-P3	C250	1:F3	1-H7	C429	1:J7	1-P8	L320	1:A8	1-U1	R212	1:J3	1-B6	R341	1:H7	1-J2			
C124	1:G5	1-I2	C251	1:F4	1-H7	C430	1:K9	1-M9	L321	1:B9	1-T0	R213	1:H2	1-B6	R342	1:H7	1-I2			
C125	1:G5	1-I2	C252	1:F2	1-H7	C431	1:H7	1-R8	L322	1:B9	1-U0	R214	1:J2	1-B7	R343	1:H7	1-K1			
C126	1:G5	1-H2	C253	1:F3	1-G7	#C800	2:D9	1-R0	L323	1:B10	1-V0	R217	1:H5	2-D4	R344	1:H9	1-L1			
C127	1:F5	1-L5	C254	1:F3	1-G7	#C801	2:F9	1-O0	L324	1:B10	1-V0	R221	1:H3	1-D7	R345	1:H8	1-L2			
C128	1:F5	1-L5	C255	1:F3	1-G7				L325	1:F8	1-Q2	R223	1:H3	1-B5	R346	1:H8	1-M1			
C129	1:E5	1-M5	C256	1:J6	1-F0	CV212	1:G3	1-E7	L326	1:E8	1-Q2	R224	1:H3	1-C6	R347	1:C7	1-T1			
C130	1:E4	1-M5	C301	1:H6	1-H0				L327	1:E6	1-U2	R225	1:H3	1-B5	R348	1:D7	1-U1			
C133	1:E4	1-O5	C303	1:G6	1-I0	D1	1:K10	1-V9	L331	1:J7	1-U2	R226	1:H3	1-C5	R349	1:C7	1-V1			
C134	1:D4	1-O6	C304	1:G8	1-M1	D100	1:C6	1-R3	L401	1:K8	1-N9	R227	1:J3	1-E4	R350	1:A8	1-T0			
C135	1:D4	1-P5	C305	1:G7	1-U0	D100	1:C6	1-Q3	L402	1:F8	1-P1	R228	1:G3	1-C5	R351	1:F9	1-P1			
C136	1:D4	1-P6	C306	1:H7	1-J0	D107	1:B5	1-S5				R229	1:H4	1-D4	R352	1:E9	1-Q1			
C137	1:D4	1-P5	C307	1:G8	1-L1	D107	1:B5	1-S6	P1	1:L3	2-F5	R230	1:J4	1-D4	R353	1:F9	1-O1			
C138	1:D4	1-P6	C308	1:H8	1-L0	D108	1:B4	1-S5	P2	1:K7	2-F4	R231	1:H4	1-D5	R354	1:D7	1-R1			
C139	1:C5	1-Q5	C309	1:G8	1-L0	D108	1:B4	1-S5	P3	1:K11	2-M5	R232	1:J4	1-D5	R418	1:J3	1-G6			
C140	1:C4	1-Q6	C310	1:G7	1-J1	D110	1:G5	1-K3	P5	1:B4	2-J5	R233	1:J3	1-E4	R420	1:J3	1-H4			
C141	1:C4	1-Q5	C311	1:H7	1-T2	D202	1:G4	1-C5	P6	1:K2	2-J4	R234	1:H3	1-E5	R421	1:J4	1-I3			
C142	1:E5	1-M5	C312	1:G7	1-I1	D202	1:G4	1-C5	P7	1:K8	2-M4	R235	1:J3	1-F5	R422	1:K9	1-L9			
C149	1:F4	1-M4	C313	1:G8	1-L0	D203	1:K5	1-A0				R236	1:K4	1-F5	R425	1:L10	1-R9			
C158	1:F4	1-L4	C314	1:H8	1-L0	D204	1:K5	1-B0	Q101	1:C6	1-P3	R237	1:K3	1-F5	R426	1:L9	1-T8			
C174	1:B2	1-J8	C315	1:J7	1-O1	D205	1:K5	1-A0	Q102	1:C5	1-Q4	R238	1:K4	1-F4	R427	1:L9	1-T8			
C175	1:A3	1-K8	C316	1:H9	1-N0	D206	1:K5	1-B0	Q103	1:E5	1-E5	R239	1:K3	1-F4	R428	1:K8	1-L9			
C176	1:A2	1-K8	C317	1:H11	1-R2	D208	1:H5	1-G2	Q115	1:C2	1-N6	R240	1:K3	1-G4	R429	1:K7	1-M8			
C179	1:B3	2-D5	C318	1:J10	1-Q2	D208	1:H5	1-G0	Q200	1:G3	1-F7	R241	1:K4	1-G5	R430	1:L7	1-O9			
C180	1:A3	1-L8	C319	1:G9	1-N0	D301	1:D8	1-R0	Q201	1:H2	1-B7	R242	1:J4	1-H4	R431	1:K7	1-O8			
C181	1:A3	1-L7	C320	1:G9	1-N0	D302	1:B9	1-T0	Q202	1:G2	1-D7	R243	1:J4	1-H3	R432	1:L7	1-P9			
C182	1:C3	1-N6	C321	1:F7	1-J2	D303	1:A8	1-T0	Q203	1:H3	1-C5	R244	1:K4	1-I3	R433	1:K7	1-P9			
C184	1:B4	1-M8	C322	1:H8	1-I1	D304	1:A7	1-T1	Q204	1:H3	1-C5	R245	1:H4	1-D3	R434	1:J7	1-Q9			
C185	1:E4	1-I6	C324	1:H7	1-K2	D401	1:L7	1-P9	Q205	1:J4	1-D4	R247	1:K5	1-A0	R437	1:L10	1-V6			
C186	1:E4	1-J7	C325	1:J8	1-L2	D401	1:L7	1-P9	Q206	1:J4	1-D5	R248	1:L4	1-H5	R441	1:B11	1-W0			
C187	1:E4	1-N8	C326	1:H8	1-L2	IC101	1:B3	1-K6	Q207	1:J3	1-E5	R249	1:J6	1-F0	#R443	1:K11	1-V9			
C188	1:F4	1-A6	C328	1:H9	1-M2	IC101	1:B3	2-D6	Q208	1:J3	1-E5	R250	1:J5	1-D2	#R480	1:F9	1-N0			
C189	1:B3	1-K6	C329	1:G8	1-M1	IC101	1:B3	1-L7	Q209	1:H3	1-E4	R251	1:J5	1-E1	#R802	2:F9	1-P1			
C190	1:B3	1-K7	C330	1:F7	1-S2	IC101	1:B3	1-O7	Q210	1:K3	1-F4	R252	1:J6	1-D0	#R803	1:B6	1-S3			
C191	1:C2	1-M6	C331	1:D7	1-V1	IC201	1:H3	1-B4	Q211	1:J2	1-C7	R253	1:L6	1-C1	#R804	1:A6	1-T3			
C192	1:C2	1-M7	C332	1:B7	1-V1	IC202	1:K3	1-G4	Q212	1:K6	1-D0	R255	1:H5	1-E2						
C193	1:C2	1-N7	C333	1:A8	1-U0	IC202	1:K3	2-D3	Q213	1:J5	1-D1	R256	1:J5	1-E1	RV153	1:B2	1-L6			
C194	1:F4	1-A7	C334	1:B8	1-T0	IC202	1:K3	1-I4	Q214	1:J6	1-F1	R257	1:J6	1-E0	RV222	1:J3	1-C6			
C195	1:F4	1-A8	C335	1:A7	1-T1	IC203	1:G4	1-E2	Q215	1:J6	1-F0	R258	1:J6	1-F0	RV324	1:E8	1-S2			
C197	1:C3	1-O7	C336	1:B7	1-U1	IC402	1:J10	1-S8	Q300	1:G7	1-J0	R259	1:K6	1-D0						
C198	1:C2	1-M6	C337	1:A7	1-T2	IC402	1:J10	2-J3	Q301	1:H7	1-K0	R260	1:H5	1-F2	RX-SHLD	1:L5	1-A1			
C199	1:B3	1-M7	C338	1:E7	1-S2	IC403	1:J8	1-J9	Q302	1:H9	1-M0	R261	1:K5	1-B0	S4	1:B11	1-W0			
C200	1:G4	1-B5	C339	1:B9	1-T0	IC404	1:J8	1-K8	Q303	1:J7	1-N1	R262	1:J5	1-D1	SHIELD	1:C5	2-G4			
C201	1:L4	1-B4	C340	1:B8	1-T0	#IC405	2:E9	1-P0	Q304	1:J7	1-O1	R263	1:H2	1-C7	TP1	1:F3	1-I7			
C202	1:H2	1-C7	C341	1:A9	1-U0	#IC414	2:E10	1-P0	Q305	1:H8	1-J1	R266	1:L6	1-C1	#XF101	1:B6	1-S3			
C203	1:H5	1-C2	C342	1:A9	1-U0				Q306	1:H7	1-K2	R267	1:L5	1-C1	XF102	1:D6	1-O3			
C204	1:L3	1-A5	C343	1:A10	1-V0	L1	1:K10	1-U9	Q307	1:H9	1-M1	R268	1:L5	1-D1	#XF103	1:B6	1-S4			
C205	1:G4	1-C2	C344	1:A10	1-V0	L107	1:G6	1-L3	Q308	1:H9	1-M2	R271	1:H5	1-G1						
C206	1:H4	2-E3	C345	1:A10	1-V0	L108	1:G5	1-K3	Q309	1:C7	1-V1	R272	1:H5	1-G2						
C207	1:J3	1-B7	C346	1:A11	1-W0	L109	1:G5	1-I3	Q401	1:K7	1-N9	R273	1:H5	1-H3						
C208	1:H2	1-D7	C347	1:B7	1-S1	L110	1:E5	1-M5	Q402	1:L7	1-O9	R274	1:G5	1-I2						
C209	1:F2	1-G8	C348	1:J7	1-U2	L114	1:D4	1-P5				R275	1:H6	1-G0						
C210	1:H2	1-E7	C349	1:J7	1-V2	L116	1:C5	1-Q5	R101	1:C5	1-R3	R276	1:G4	1-B2						
C211	1:G2	1-E8	C350	1:C8	1-S0	L117	1:B4	1-R5	R102	1:C5	1-R4	R277	1:K6	1-D0						
C213	1:H4	1-D4	C351	1:D8	1-R1	L118	1:B4	1-T5	R103	1:C6	1-Q3	R278	1:L3	1-I5						
C214	1:H4	1-C4	C352	1:D9	1-R0	L119	1:A3	1-K8	R104	1:C6	1-P3	R279	1:H6	1-H0						
C215	1:J4	1-E4	C353	1:K7	1-V2	L120	1:F4	1-L4	R105	1:C5	1-Q4	R280	1:H6	1-H0						
C216	1:J3	1-E5	C354	1:K7	1-U2	L121	1:C5	1-S4	R106	1:E6	1-N3	R281	1:H6	1-I0						
C217	1:L4	1-F4	C355	1:E7	1-P2	L200	1:G5	1-C2	R107	1:E5	1-N3	R301	1:G7	1-I0						
C218	1:H4	1-F5	C356	1:F9	1-O1	L201	1:G2	1-D7	R108	1:E6	1-M3	R302	1:G7	1-I0						
C219	1:K3	1-G4	C357	1:F9	1-O1	L202	1:G3	1-F7	R112	1:F5	1-L5	R303	1:G7	1-J1						
C220	1:K4	1-G5	C358	1:E6	1-V1	L204	1:F3	1-G7	R113	1:E4	1-N5	R305	1:G8	1-L0						
C221	1:K4	1-G5	C359	1:F9	1-P1	L205	1:K5	1-A0	R114	1:E5	1-M5	R306	1:G7	1-K0						
C222	1:K4	1-H3	C360	1:K7	1-N1	L206	1:K5	1-B0	R115	1:E5	1-N5	R307	1:H7	1-K0						
C223	1:G4	1-E3	C361	1:F9	1-P1	L207	2:K5	1-C0	R116	1:E4	1-N5	R308	1:H8	1-L0						
C224	1:G4	1-E2	C362	1:F8	1-P1	L208	1:L6	1-C0	R117	1:E4	1-M6	R309	1:G8	1-L0						
C225	1:J4	1-A0	C363	1:E9	1-Q1	L209	1:K6	1-D0	R118	1:E4	1-M6	R310	1:H8	1-M0						
C226	1:L5	1-C1	C364	1:E9	1-Q1	L210	1:H5	1-F2	R119	1:E4	1-O6	R311	1:J7	1-N1						
C227	1:K6	1-C0	C365	1:E9																



TAIT ELECTRONICS	IPN: 220-01612-05	ISS: A	ID: 2.BA	DATE: 21 Dec 2000
T2000 PCB LAYOUT - BOTTOM SIDE				

Scale: 1:1 ; Rotation: 90 degrees





05A	ECO 210775	CJK				21/12/00
01A	NEW 900MHZ RF PCB	RPS				13/08/99
REV/ISS	AMENDMENTS	DRAWN	CHKD	D.O.	APVD	DATE

© TAIT ELECTRONICS					
T2000-K00					
900MHZ MOBILE RADIO					
IPN:	ISSUE:	ID:			
220-01612-05	A	2.SC. 2			
PROJECT:	DESIGNER:	FILE NAME:	FILE DATE:	NO.SHEETS:	
T2000	CJK	161205a	21-Dec-00	2	